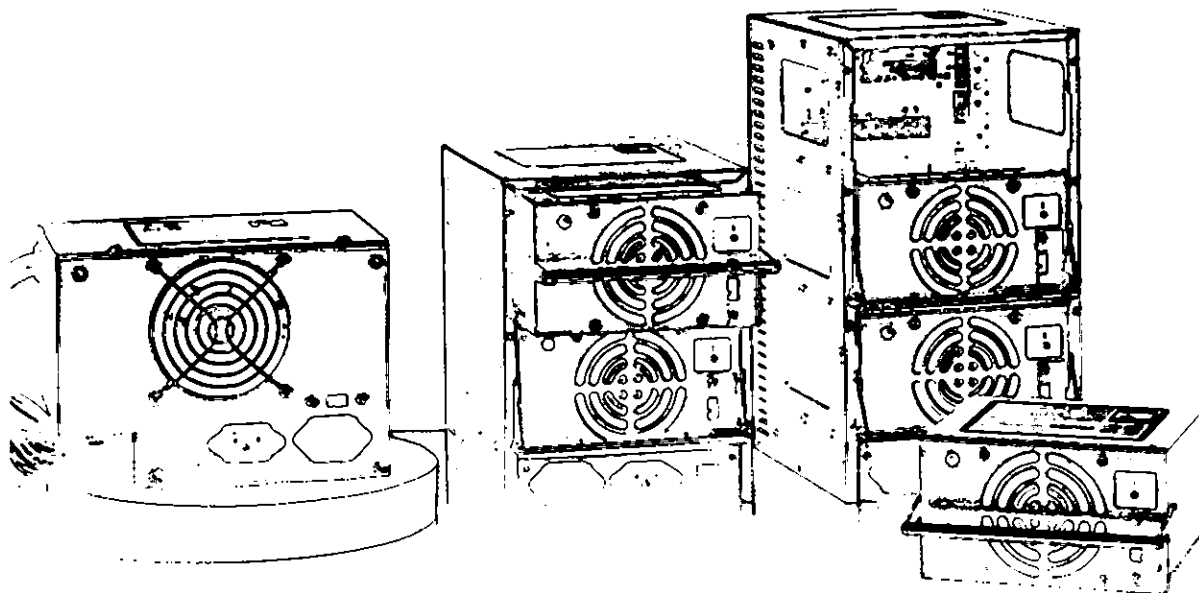


Redundant Power Supply

Reliable, redundant power supplies from Antec

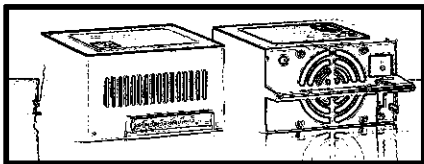
Features & Benefits

- ▲ N+1 Load Sharing
- ▲ Power Fault Alarm System
- ▲ Zero System Down Tim
- ▲ Easy to install, hot-swap and maintain
- ▲ Real-time Disaster Recovery



# End costly system down-time forever!

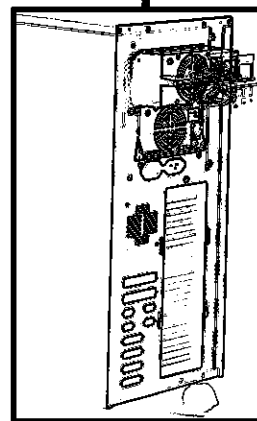
Now you can have bullet-proof protection for your data and mission critical applications. Antec N+1 Series redundant power supplies are the perfect solution for main frames, network servers, application servers, multiple processor work stations and telecommunications systems. Hot-Swappable



RPP-300 single module

Redundant Power Supply technology provides an "insurance policy" that eliminates work stoppage, lost data and down-time

caused by power system failure. The hot-swap capability enables the user to remove and replace the power supply while the system remains on-line, active and productive. The result is reliable power for non-stop server, workstation and network access. Antec N+1 Series Redundant power supply systems are the cost-effective solution to failsafe system operation.



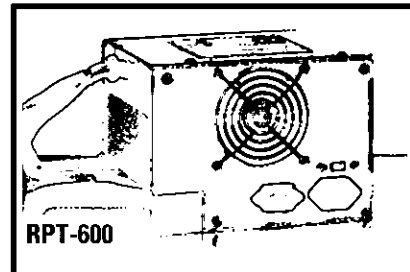
The RPP-3002 is a dual-module 300W+300W power supply system. It is hot-swappable, redundant, and load-sharing. This system features on-off switch for each module and a power fault alarm system.



# ANTEC

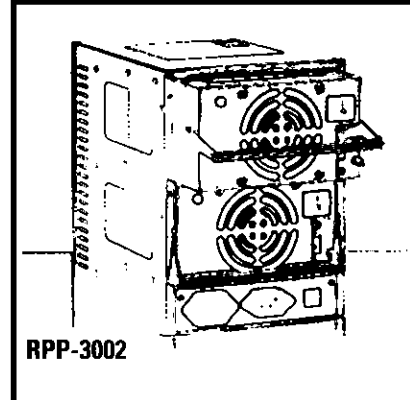
**RPT Series Standard AT Size Redundant Power Supply Series**

**RPT-600** Standard AT size 300 Watt redundant power supply  
 300 Watt + 300 Watt, load-sharing  
 May be used as a 600 Watt output power supply  
 UL/CSA/VDE, Dimensions: L8.3"xW5.9"xH5.9"  
 DC output +5V/30A, +12V/12A, -5V/0.5A, -12V/0.5A  
 Optional: Logic On/Off, AC-On-Stand-by, Thermal Protection  
 2-year warranty



**RPP Series Hot-swappable Redundant Power Supply Series**

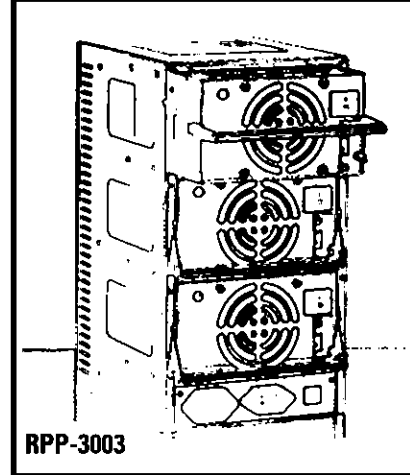
**RPP-300** PS/2 size hot-swappable module for RPP Series  
 300 Watt output  
 Power good/fault LED, Power Fault Alarm System  
 UL/CSA/VDE, Dimensions: L5.9"xW5.5"xH3.39"  
 DC output +5V/30A, +12V/12A, -5V/0.5A, -12V/0.5A  
 2-year warranty



**RPP-3002** 300 Watt N+1 hot-swappable redundant power supply system  
 Hot-pluggable housing and backplane with 2-piece RPP-300  
 300 Watt + 300 Watt, load-sharing  
 UL/CSA/VDE, Dimensions: L7.87"xW6.65"xH8.62"  
 DC output +5V/30A, +12V/12A, -5V/0.5A, -12V/0.5A  
 Vertical and horizontal form factors available  
 2-year warranty



**RPP-3003** 600 Watt N+1 hot-swappable redundant power supply system  
 Hot-pluggable housing and backplane with 3-piece RPP-300  
 300 Watt x 2 + 300 Watt load-sharing  
 UL/CSA/VDE, Dimensions: L7.87"xW6.65"xH12.07"  
 DC output +5V/60A, +12V/24A, -5V/1A, -12V/1A  
 Vertical and horizontal form factors available  
 2-year warranty



**RPS Series Hot-swappable Redundant Power Supply Series**

**RPS-330** Hot-swappable module for RPS Series  
 330 Watt output, +3.3 Volt output  
 AC input auto-sensing, AC-on stand-by  
 Logic On/Off, power fault signal for system  
 Power fault alarm system - Power good/fault LED  
 Thermal protection

UL/CSA/VDE Dimensions: L12.0"xW2.5"xH5.0"  
 DC output +5V/30A, +12V/10A, +3.3V/15A,  
 -5V/0.5A, -12V/1A  
 Optional: Power Factor Correction  
 3-year warranty

**RPS-3302** 330W, N+1 hot-swappable redundant power supply  
 330 Watt + 330 Watt load-sharing  
 Hot-pluggable housing and backplane with  
 2-piece RPS-330

UL/CSA/VDE, Dimensions: L13.0"xW5.81"xH6.06"  
 Vertical and horizontal form factors available  
 DC output +5V/30A, +12V/10A, +3.3V/15A,  
 -5V/0.5A, -12V/1A  
 3-year warranty



**RPS-3303** 660W, N+1 hot-swappable redundant power supply  
 330 Watt x 2 + 330 Watt load-sharing  
 Hot-pluggable housing and backplane with  
 3-piece RPS-330

UL/CSA/VDE, Dimensions: L13.0"xW8.31"xH6.06"  
 Vertical and horizontal form factors available  
 DC output +5V/60A, +12V/20A, +3.3V/30A,  
 -5V/1A, -12V/2A  
 3-year warranty



**Antec Incorporated**

2859 Bayview Drive Fremont, CA 94538 USA (510) 770-1200 Fax (510) 770-1288

All trademarks are acknowledged and are the property of their respective owners. © Copyright 1995 Antec Inc. Printed in U.S.A.